



SMD GEARBOX

SMD

BRILLIANTLY AGILE!

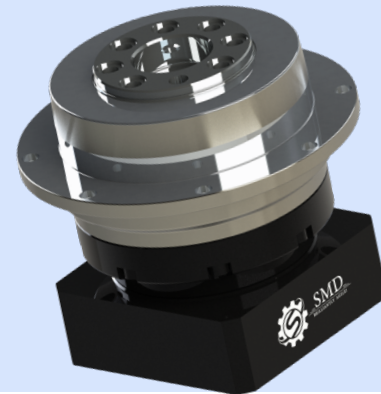


HIGH PRECISION SERVO GEARBOX



SPFE Series

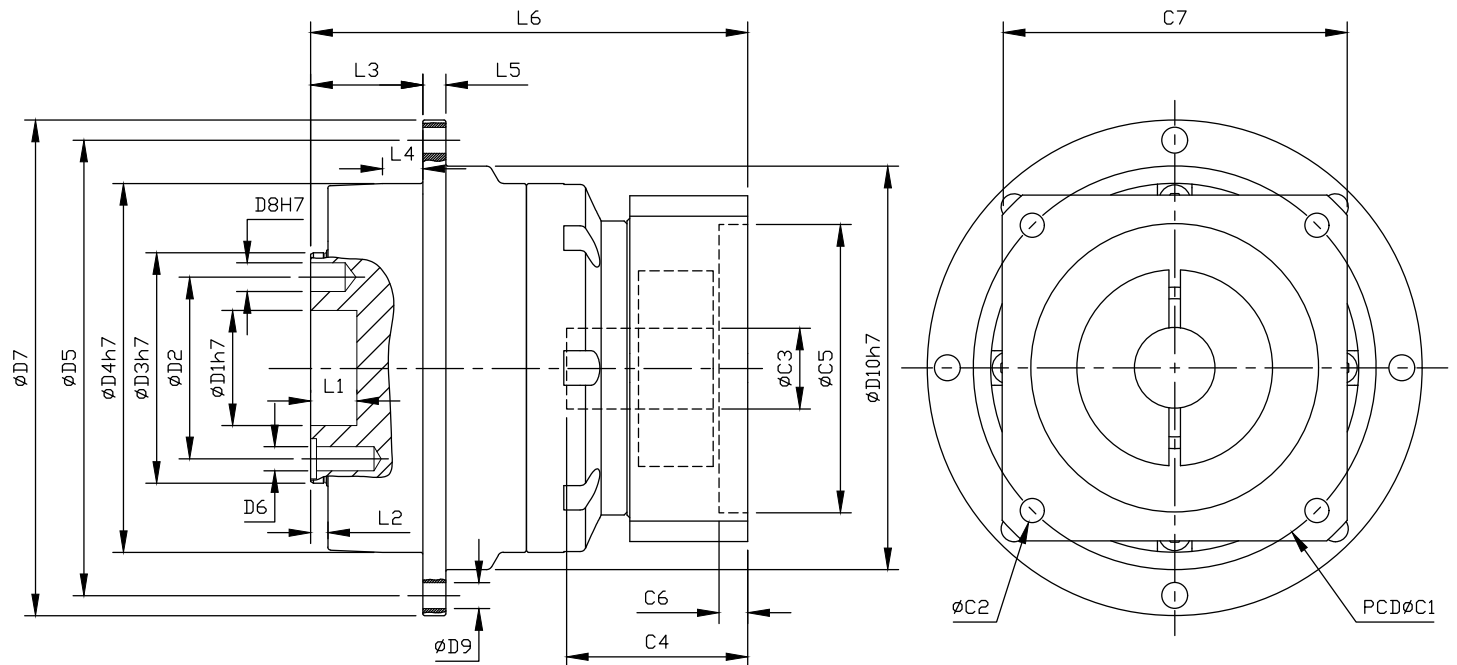
Planetary Gearbox with Flange Output
Helical Gears



Specification	Unit	Stage	Ratio	SPFE047	SPFE064	SPFE090	SPFE110	SPFE140	SPFE200	SPFE 255	
Rated output torque	Nm	1	4	19	48	130	270	560	1100	1700	
			5	22	60	160	330	650	1200	2000	
			6	19	50	140	300	550	1100	1800	
			7	19	50	140	300	550	1100	1800	
			8	14	40	100	230	450	900	1500	
			10	14	40	100	230	450	900	1500	
		2	20	19	48	130	270	560	1100	1700	
			25	22	60	160	330	650	1200	2000	
			35	19	50	140	300	550	1100	1800	
			40	19	48	130	270	560	1000	1700	
			50	22	60	160	330	650	1200	2000	
			60	19	50	140	300	550	1100	1800	
			70	19	50	140	300	550	1100	1800	
			80	14	40	100	230	450	900	1500	
100	14	40	100	230	450	900	1500				
Emergency stop torque	Nm	1,2	4-100	Triple rated output torque							
Rated input speed	rpm	1,2	4-100	5000	5000	4000	4000	3000	3000	2000	
Maximum input speed		1,2	4-100	10000	10000	8000	8000	6000	6000	4000	
Superprecision backlashP0	arcmin	1	4~10	-	-	≤2	≤2	≤2	≤2	≤2	
		2	20-100	-	-	≤3	≤3	≤3	≤3	≤3	
Precision backlashP1	arcmin	1	4~10	-	≤3	≤3	≤3	≤3	≤3	≤3	
		2	20-100	-	≤5	≤5	≤5	≤5	≤5	≤5	
Standard backlashP2	arcmin	1	4~10	≤5	≤5	≤5	≤5	≤5	≤5	≤5	
		2	20~100	≤8	≤8	≤8	≤8	≤8	≤8	≤8	
Torsional rigidity	Nm/arcmin	1,2	4-100	7	13	31	82	151	440	1006	
Maximum bending torque	Nm	1,2	4-100	42.5	125	235	430	1300	3064	5900	
Allowable axial force	N	1,2	4-100	990	1050	2850	2990	10590	16660	29430	
Lifespan	hr	1,2	4-100	20000							
Efficiency	%	1	4~10	≥97%							
		2	20-100	≥94%							
Weight	kg	1	4~10	0.7	1.2	3	5.6	11.9	31.6	56.1	
		2	20-100	1	1.6	3.7	7.3	15.9	36.9	70.4	
Working temperature	°C	1,2	4-100	-10°C~90°C							
Lubricating		1,2		Synthetic lubricating grease							
IP Grade		1,2	4-100	IP65							
Installation direction		1,2	4-100	In any direction							
Noise level	dB(A)	1,2	4-100	≤56	≤58	≤60	≤63	≤65	≤67	≤70	

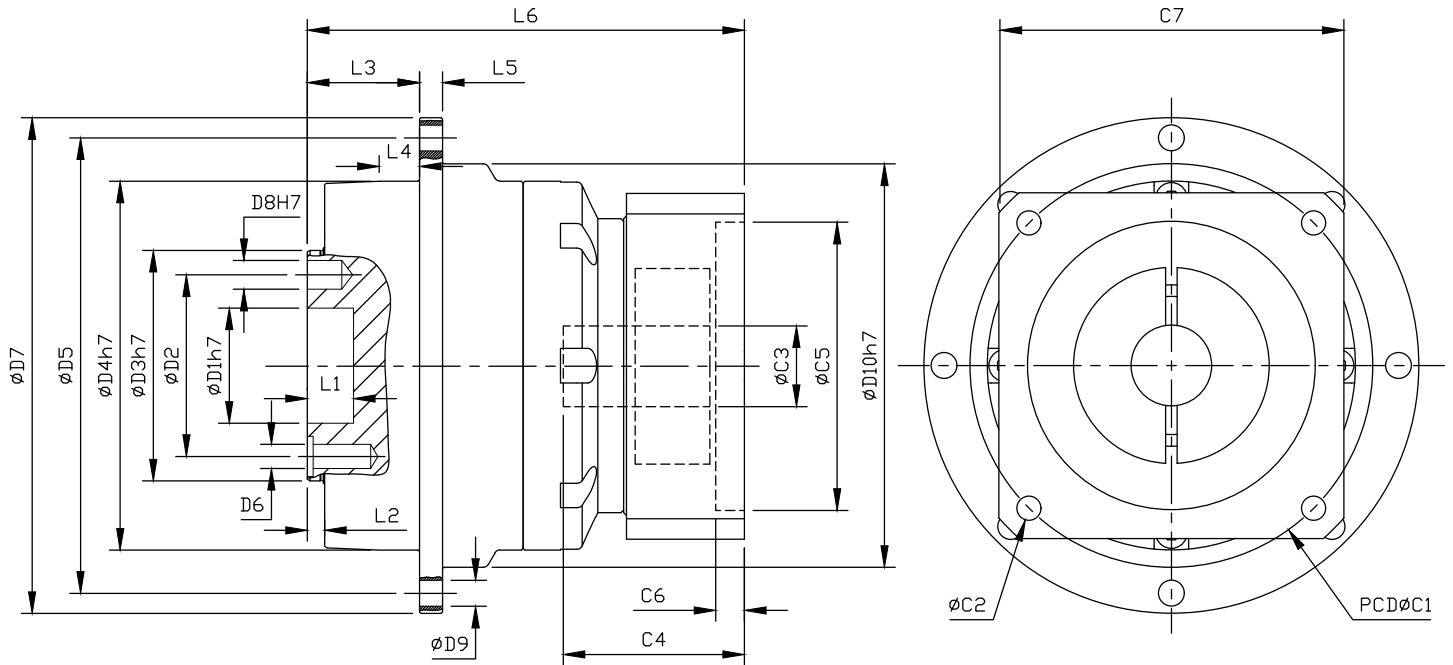
Dimension Sheet

Dimension(single stage,Ratio i=4 to 10)



Dimension	SPFE064	SPFE090	SPFE110	SPFE140	SPFE200	SPFE255
D1	20	31.5	40	50	80	100
D2	31.5	50	63	80	125	140
D3	40	63	80	100	160	180
D4	64	90	110	140	200	255
D5	79	109	135	168	233	280
D6	7XM5X0.8P	7XM6X1P	11XM6X1P	11XM8X1.25P	11XM10X1.5	12XM16X2.0P
D7	86	118	145	179	247	300
D8	5	6	6	8	10	12
D9	8X4.5	8X5.5	8X5.5	12X6.6	12X9	16X13.5
D10	70	95	120	152	212	255
C1	70,90	90,145	145,200	200	200	235
C2	M4,M5	M5,M8	M8,M12	M12*1.75P	M12*1.75P	M12*1.75P
C3	<=14,<=19	<=19,<=24	<=24,<=35	<=35,<=42	<=42	<=42,<=55
C4	31.5,41	41,59	60,81	81	114	117
C5	50,70	70,110	110,14.3	114.3	114.3	200
C6	5,5	6,14	14,19	19	24	20
C7	60,80	80,130	130,180	180	180	220
L1	8	12	12	12	16	20
L2	3	6	6	6	8	12
L3	19.5	30	29	38	50	66
L4	7	10	10	14.6	15	20
L5	4	7	8	10	12	18
L6	76,89	102,120	127.5,149.5	173.5	225.5	268.5

Dimension(Double stage,Ratio i=20 to 100)



Dimension	SPFE064	SPFE090	SPFE110	SPFE140	SPFE200	SPFE255
D1	20	31.5	40	50	80	100
D2	31.5	50	63	80	125	140
D3	40	63	80	100	160	180
D4	64	90	110	140	200	255
D5	79	109	135	168	233	280
D6	7XM5X0.8P	7XM6X1P	11XM6X1P	11XM8X1.25P	11XM10X1.5	12XM16X2.0P
D7	86	118	145	179	247	300
D8	5	6	6	8	10	12
D9	8X4.5	8X5.5	8X5.5	12X6.6	12X9	16X13.5
D10	70	95	120	152	212	255
C1	70,90	7090145	90145	145	200	200
C2	M4,M5	M4,M5,M8	M5,M8	M8,1.25P	M12*1.75P	M12*1.75P
C3	<=14,<=19	<=14,<=19,<=24	<=19,<=24	<=24,<=28	<=35	<=42
C4	31.5,41	31.5,41,59	41,60	66	80	114
C5	50,70	50,70,110	70110	110	114.3	114.3
C6	5,5	5,6,14	6,14	19	19	30
C7	60,80	6080130	80130	180	180	180
L1	8	12	12	12	16	20
L2	3	6	6	6	8	12
L3	19.5	30	29	38	50	66
L4	7	10	10	14.6	15	20
L5	4	7	8	10	12	18
L6	108,121	121,139.5,157.5	142,172.5	234.5	260	364



SMD


BRILLIANTLY AGILE!

GET IN TOUCH

HEADQUARTERS

SMD Gearbox (Taiwan)


 Zhongshan Rd, Taichung City,
Taiwan - 41171.

 +886 (09) 33510083



HEAD OFFICE (OVERSEAS)

SMD Gearbox (India)

 A-51, H Block, M. I. D. C., Pimpri-Chinchwad
Pune, Maharashtra, India - 411018.

 +91 70306 69818

 +91 020-46212730

sales@smdgearbox.com

www.smdgearbox.com